

Technical proposal for JX-CI-135M175M-20NF Coaxial Isolator

- ◆ High Performance
- ◆ High Reliability

Revision History

Version	Date	Author	Revision description	Comment
V1.0	2023/05/17	Vivian	Created	/

Table of content

Technical proposal for JX-CI-135M175M-20NF Coaxial Isolator.....	1
1. Mechanical layout.....	2
2. Electrical analysis.....	2

Figures

Figure 1 JX-CI-135M175M-20NF front panel layout.....	2
--	---

Tables

Table 1 Mechanical specifications	2
Table 2 Electrical specifications.....	2

JING XIN MICROWAVE TECHNOLOGY CO.,LTD

E-mail: sales@cdjx-mw.com Web: <http://www.cdjx-mw.com>

TEL: +86-28-85026087 FAX: +86-28-65026087 ext.8033 Zip Code:610045

Add: No.65,West 1st Wu Ke Road, Wu Hou District, Cheng Du City, Si Chuan Province, China.

1. Mechanical layout

Table 1 Mechanical specifications

Dimension	As shown below
Connector Type	N-Female
Notes	Material shall be RoHS 6/6

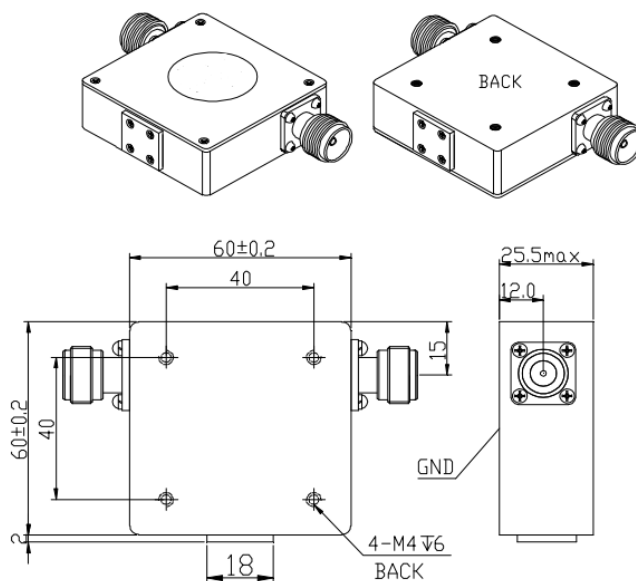


Figure 1 JX-CI-135M175M-20NF front panel layout

2. Electrical analysis

Table 2 Electrical specifications

Item	Parameter	Specifications
1	Frequency Range	135-175MHz
2	Insertion Loss	0.5dB max
3	Isolation	20dB min
4	VSWR	1.25max
5	Forward Power	150W CW
6	Reverse Power	100W
7	Temperature	-0°C to +60°C

JING XIN MICROWAVE TECHNOLOGY CO.,LTD

E-mail: sales@cdjx-mw.com Web: <http://www.cdjx-mw.com>

TEL: +86-28-85026087 FAX: +86-28-65026087 ext.8033 Zip Code:610045

Add: No.65,West 1st Wu Ke Road, Wu Hou District, Cheng Du City, Si Chuan Province, China.